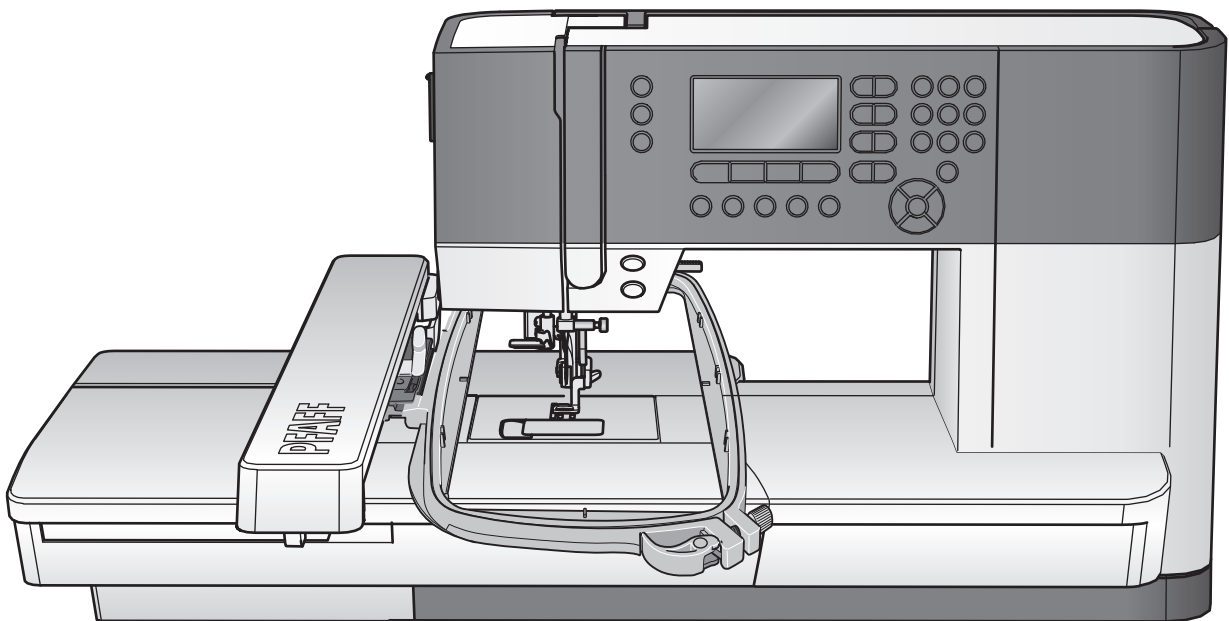


PFAFF®

Creative 1.5

Ersatzteile-Listt
List of spare parts
Liste des pièces détachées
Catalogo pezzi staccati
Lista de piezas de repuesto





Please note that on disposal, this product must be safely recycled in accordance with relevant National legislation relating to electrical/electronic products. If in doubt please contact your retailer for guidance.



Bitte beachten Sie, dass hinsichtlich der Entsorgung dieses Produkts, vorschriftsmäßig entsprechend der gültigen nationalen Gesetzgebung für elektrische/elektronische Produkte, recycelt werden muss. Bei Zweifel setzen Sie sich bitte mit Ihrem Fachhändler in Verbindung.



Veillez noter qu'en cas de destruction, ce produit doit bénéficier d'un recyclage sécurisé, conforme à la législation nationale applicable aux produits électriques/électroniques. En cas de doute, veuillez contacter votre distributeur agréé.

- All casted parts within our products are marked with name of material if allowed by size.
- All molded plastic parts within our products are marked with name of material if allowed by size.

Nicht nummerierte Teile im Katalog werden nicht geliefert.

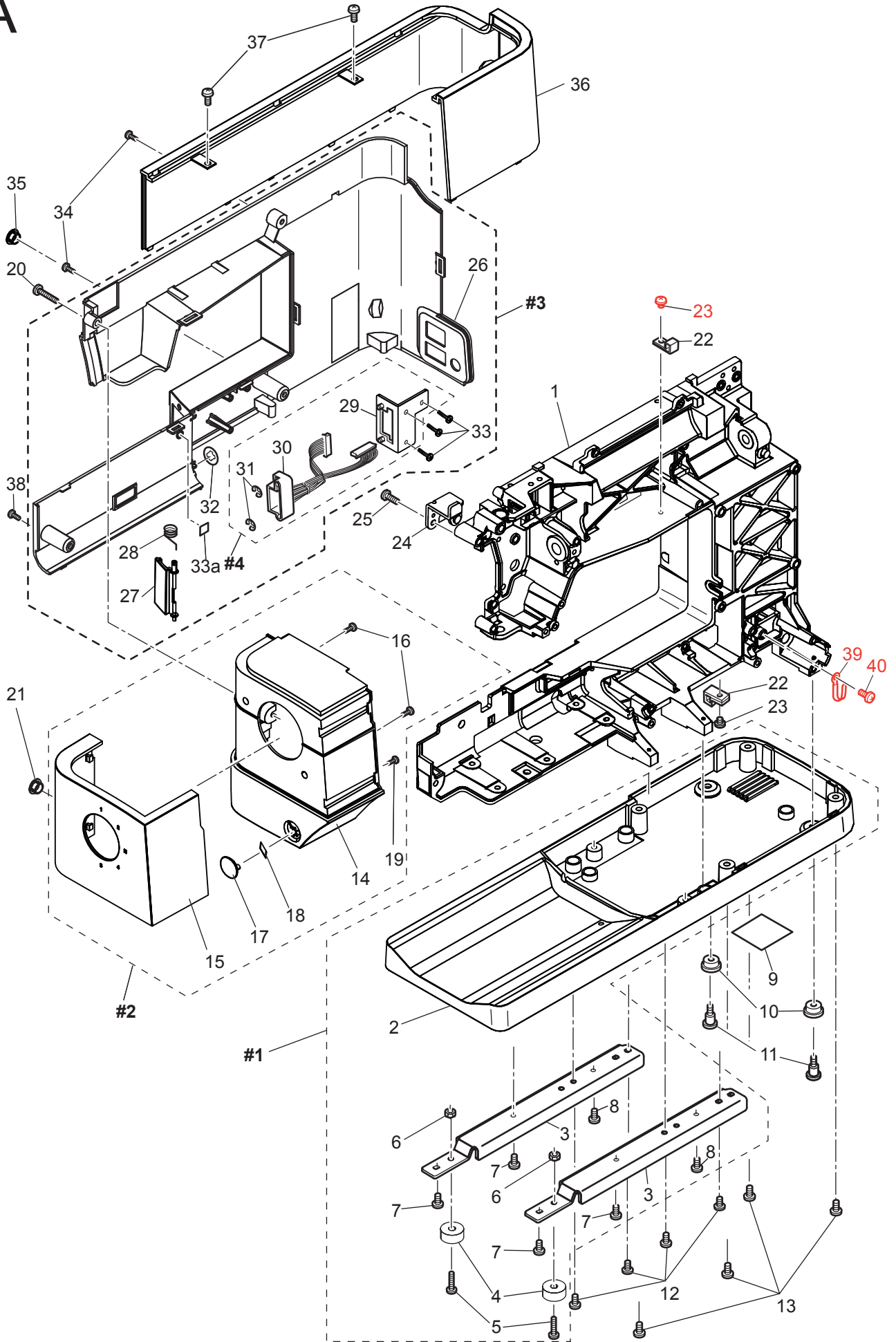
The parts mentioned without number in the parts list are not available.

Les pièces qui ne sont pas numérotées dans la liste de pièces détachées ne peuvent être livrées.

Pezzi non catalogati non sono disponibili.

Las piezas de repuesto sin número en esta lista no se entregarán.

A



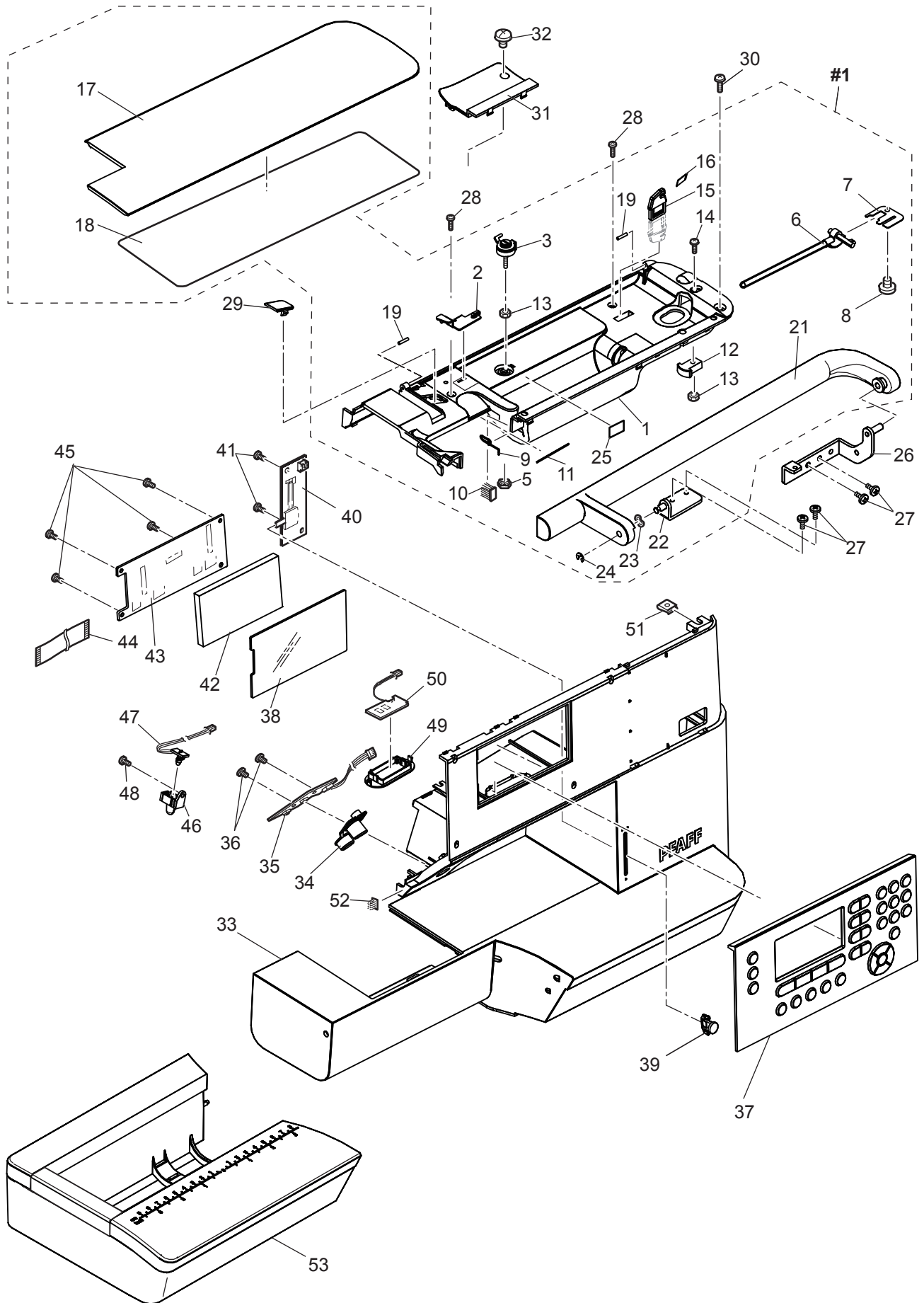
Available parts

No.	Part No.	Description
#1	68001173	Base Assy.
#2	68001200	Face Plate Assy.
#3	68001232	Rear Cover Assy. Ver. 2
#4	68001240	Embroidery Unit Connector
17	68001208	Knife Cover
18	412423701	Thread Cutter
21	68001227	Screw Cap
27	68001236	Embroidery Unit Connect Lid
28	68001239	Connect Lid Spring Bracket Unit
34	270 HP90810	Set Screw M4*8
35	68001303	Screw Cap
36	68001306	Front And Rear Cover Panel

NOT Available

1	68001166	Machine Frame
2	68001176	Base Cover
3	68001179	Base Supporting Plate
4	68000157	Rubber Foot (B)
5	68001184	Rubber Foot Adjusting Screw
6	270 HP91648	Adjustable Lock Nut
7	68001188	Set Screw PT M4*8
8	68001191	Set Screw M4*8
9	68001192	Electrical Rating Label
10	68001194	Rubber Foot
11	68001196	Set Screw M4*15
12	68001191	Set Screw M4*8
13	68001198	Set Screw PT M4*10
14	68001203	Face Plate
15	68001204	Face Plate Panel
16	68001207	Set Screw PT M3*6
19	68001214	Set Screw PT M2.6*6
20	68001220	Set Screw M4*20
22	68001228	Cord Holder
23	68001701	Set Screw M4*4. Ver. 2
24	68001229	Face Plate Holding Plate
25	68001230	Set Screw M4*12
26	68001235	Rear Cover
29	68001241	Embroidery Unit Connect Bracket Assy.
30	68001245	Embroidery Unit Connect Assy.
31	68001286	Snap Ring
32	416787101	Push Nut
33	68001288	Set Screw PT M3*8
33a	68024856	Rubber Seat. Ver. 2
37	68001466	Set Screw M4*6
38	68001310	Set Screw PT M4*12
39	68001780	Coating Clip. Ver. 2
40	68001191	Set Screw M4*8. Ver. 2

B



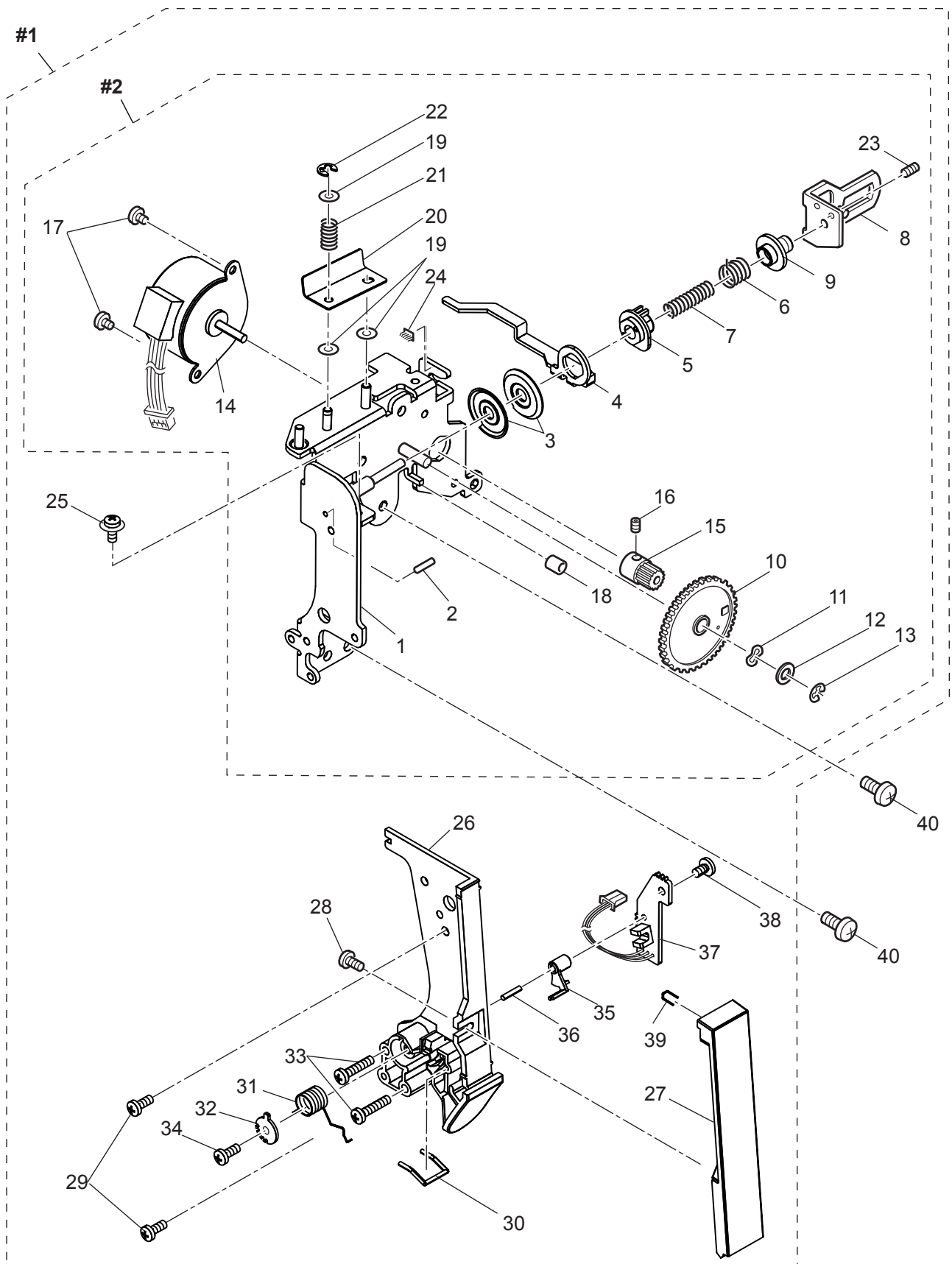
Available parts

No.	Part No.	Description
#1	68001538	Unit Cover Assy. Ver. 2
2	68001540	Thread Guide
6	68001545	Spool Pin
10	416709501	Brush
16	412423701	Thread Cutter
17	68001555	Flap
18	68001556	Pattern Chart
21	68001316	Handle
29	270 HP33067	Hinge Cover
31	68001562	Thread Tension Cover
34	68001566	Start/Reverse Key-top
35	68001567	Switch Board Assy.
37	68001568	Silicon Rubber Key-top Set
38	68001569	LCD Cover
39	68001570	Speed Key-top
40	68001571	Speed Control Board Assy.
42	68001572	L.C.D
43	68001573	Board Assy.
44	68001574	Flat Cable
46	68001575	LED Light Cover (A)
47	68001576	LED Board Assy.(A)
49	68001577	LED Light Cover (B)
50	68001578	LED Board Assy.(B)
53	68001581	Accessory Box Cpl

NOT Available

1	68001539	Unit Cover
3	68013505	Thread Guide Assy.
5	68001544	Adjustable Lock Nut
7	68001546	Spool Pin Support Spring
8	68001547	Set Screw PT M3*5
9	68001549	Thread Guide Wire
11	68001550	Bobbin Winder Guide Wire
12	68001551	Bobbin Winder Stop
13	68002533	Nut
14	68001553	Set Screw M3*8
15	68001554	Bobbin Winder Thread Cutter Cover
19	68001557	Pin
22	68001317	Handle Hinge (Left) Assy.
23	416402701	Wave Washer
24	416402801	Snap Ring
25	68002628	Thread Spool Sticker
26	68001321	Handle Hinge (Right) Assy.
27	68001191	Set Screw M4*8
28	68001558	Set Screw M3*10
30	416402401	Set Screw M4*14
32	68001563	Set Screw M3*5
33	68001565	Front Cover
36	68001207	Set Screw PT M3*6
41	68001207	Set Screw PT M3*6
45	68001207	Set Screw PT M3*6
48	68001207	Set Screw PT M3*6
51	68001579	Speed Nut
52	68001720	Brush

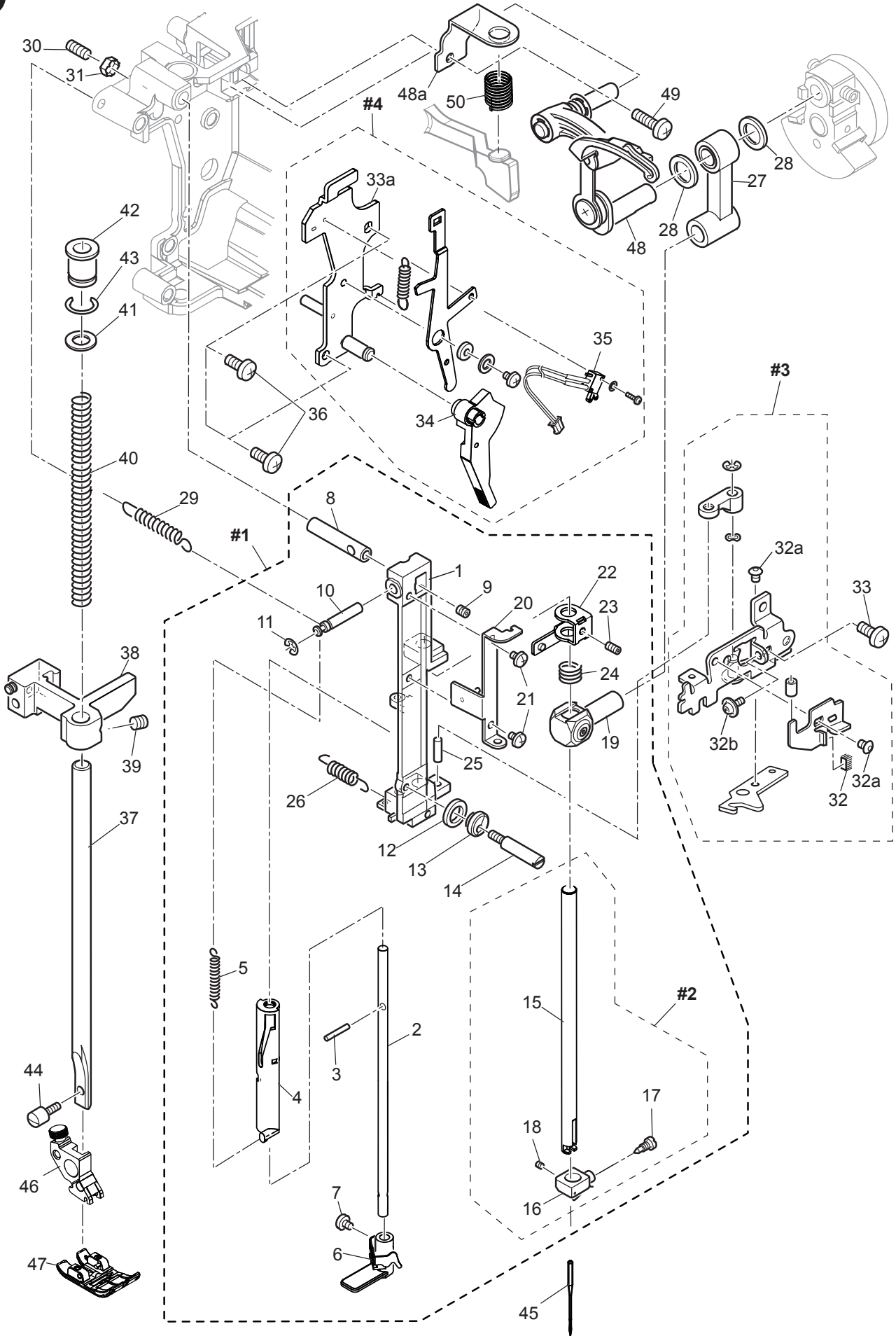
C



Available parts

No.	Part No.	Description
#1	68001582	Thread Tension Ragulator Unit
3	68001586	Thread Tension Disc
14	416395901	Tension Release Pulse Motor
24	416709501	Brush
31	416396101	Thread Check Spring
37	68001656	Thread Sensor Board Assy.
NOT Available		
#2	68001583	Thread Tension Assy.
1	68001584	Thread Tension Base Assy.
2	68001585	Spring Pin
4	68001587	Thread Tension Releasing Plate
5	68001588	Tension Collar
6	416395701	Thread Tension Spring
7	416395601	Thread Tension Sub-spring
8	416788401	Thread Tension Plate Assy.
9	68001589	Tension Regulating Screw
10	416395801	Thread Tension Cam
11	68001590	Wave Washer
12	68001591	Washer
13	68001592	Snap Ring
15	68001594	Pulse Motor Gear
16	68001597	Set Screw M3*3
17	68001598	Set Screw M3*3
18	416709201	Rubber Cushion
19	68001599	Polyslider
20	68001600	Pre-Tension Plate
21	68001601	Pre-Tension Spring
22	68001286	Snap Ring
23	68001602	Set Screw M3*6
25	68001603	Set Screw M3*6
26	68001604	Thread Take-Up Lever Cover
27	68001605	Thread Take-Up Lever Cover Panel
28	68001207	Set Screw PT M3*6
29	68001606	Set Screw M3*5
30	416396001	Thread Guide
32	68001607	Check Spring Adjust Plate
33	68001608	Set Screw M3*14
34	68001547	Set Screw PT M3*5
35	68001609	Thread Sensor Slit
36	68001655	Thread Sensor Slit Fulcrum Shaft
38	68001547	Set Screw PT M3*5
39	68001657	Thread Take-Up Lever Spool Wire
40	68001191	Set Screw M4*8

D



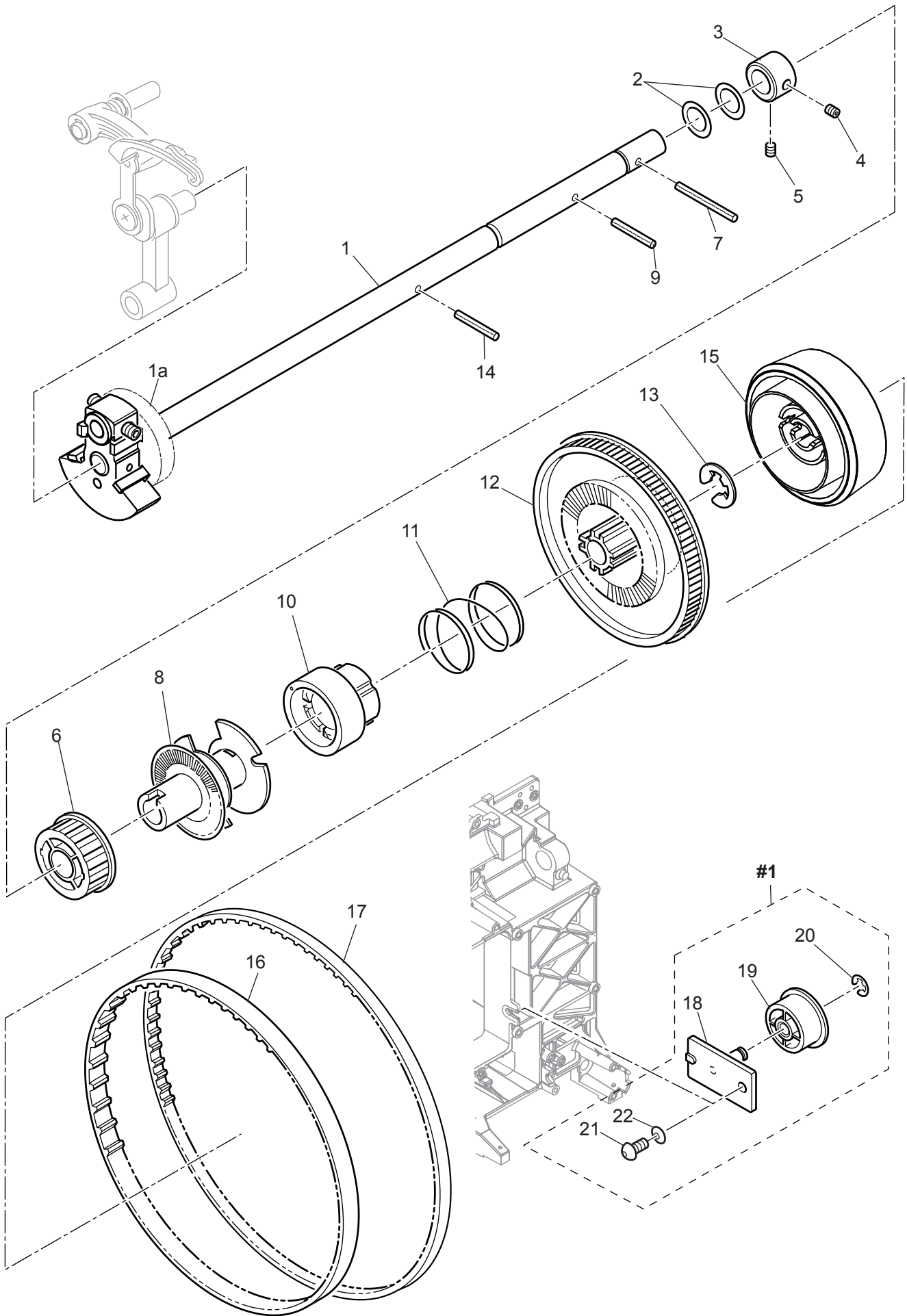
Available parts

No.	Part No.	Description
#1	68002862	Needle Bar Guide Assy.
#2	68002675	Needle Bar Assy.
#3	68001710	Z Link Bracket Unit
#4	68001723	Presser Foot Lifter Bracket Unit Ver.1
#4	68011262	Presser Foot Lifter Bracket Unit. Ver.2
6	68001677	Threader Hook Assy.
16	68002629	Needle Clamp Assy.
17	68002630	Needle Clamp Screw (Embroidery)
18	270 HP32430	Set Screw M2.5*2.5
27	68001706	Needle Bar Clank Rod Assy.
34	68001725	Presser Foot Lifter
35	68001730	Presser Foot Switch Assy.
37	68001733	Presser Bar
38	68011265	Presser Bar Guide Bracket Assy.
42	68001737	Presser Bar Bush
44	68002497	Presser Foot Screw
46	68005972	Presser Foot Holder
47	820773096	Standard Presser Foot W.IDT
48	68001743	Thread Take-Up Lever Assy.

NOT Available

1	68002780	Needle Bar Guide
2	68002487	Threader Bar
3	68002491	Spring Pin
4	68001675	Threader Guide
5	68001676	Threader Holder Spring
7	68001678	Threader Hook Screw
8	68001679	Needle Bar Guide Fulcrum Shaft (A)
9	68001681	Set Screw M4*4
10	68001682	Needle Bar Guide Fulcrum Shaft (B)
11	68001684	Snap Ring
12	68002494	Z Cam Follower
13	68002495	Needle Point Adjust Collar
14	416709801	Needle Point Limiting Shaft
15	68002496	Needle Bar
19	68001697	Needle Bar Clamp Assy.
20	68001698	Threader Guide Pin Assy.
21	68001563	Set Screw M3*5
22	68001699	Threader Bar Stopper Assy.
23	68001703	Set Screw M3*6
24	416709901	Needle Bar Clamp Spring
25	68001704	Z Link Shaft
26	68001705	Z Guide Spring
28	68001707	Washer
29	68001708	Spring for Needle Bar Guide Assy.
30	68001709	Set Screw M4*10
31	270 HP91648	Adjustable Lock Nut
32	68001720	Brush
32a	416710301	Set Screw M3*4. Ver.2
32b	68001603	Set Screw M3*6. Ver.2
33	68001191	Set Screw M4*8
33a	68018415	Presser Foot Lifter Bracket Assy. Ver.2
36	68001191	Set Screw M4*8
39	68001735	Set Screw M5*5
40	68001736	Presser Bar Spring
41	416786901	Washer
43	68001738	Snap Ring
45		Needle
48a	68018416	Thread Take-Up Lever Base Pin Plate. Ver.2
49	416402401	Set Screw M4*14
50	68001498	Dual Feed Up/Down Cam Presser Spring. Ver.2

E



Available parts

<u>No.</u>	<u>Part No.</u>	<u>Description</u>
#1	68001341	Belt Tension Assy.(Incl.18-22) Ver.2
1	68000145	Upper Shaft Assy.
6	68001199	Upper Shaft Timing Pulley
8	68001234	STS Slit
9	68001326	Spring Pin
10	68001328	Clutch Change Collar
11	68001331	Clutch Change Spring
12	68001333	Belt Wheel
13	270 HP30045	Snap Ring
14	416400501	Spring Pin
15	68001338	Hand Wheel
16	416400301	Timing Belt (Upper Shaft)
17	68001340	Timing Belt (Motor)

NOT Available

1a	68018417	Dual Feed Up/Down Cam Ver.2
2	68000148	Polyslider
3	68000151	Upper Shaft Collar
4	68000153	Set Screw M4*4
5	68001681	Set Screw M4*4
7	416400401	Spring Pin
18	68001342	Belt Tension Bracket Assy.
19	68001344	Tension Pulley
20	416402801	Snap Ring
21	68002633	Set Screw M4*8
22	68002631	Spring Washer

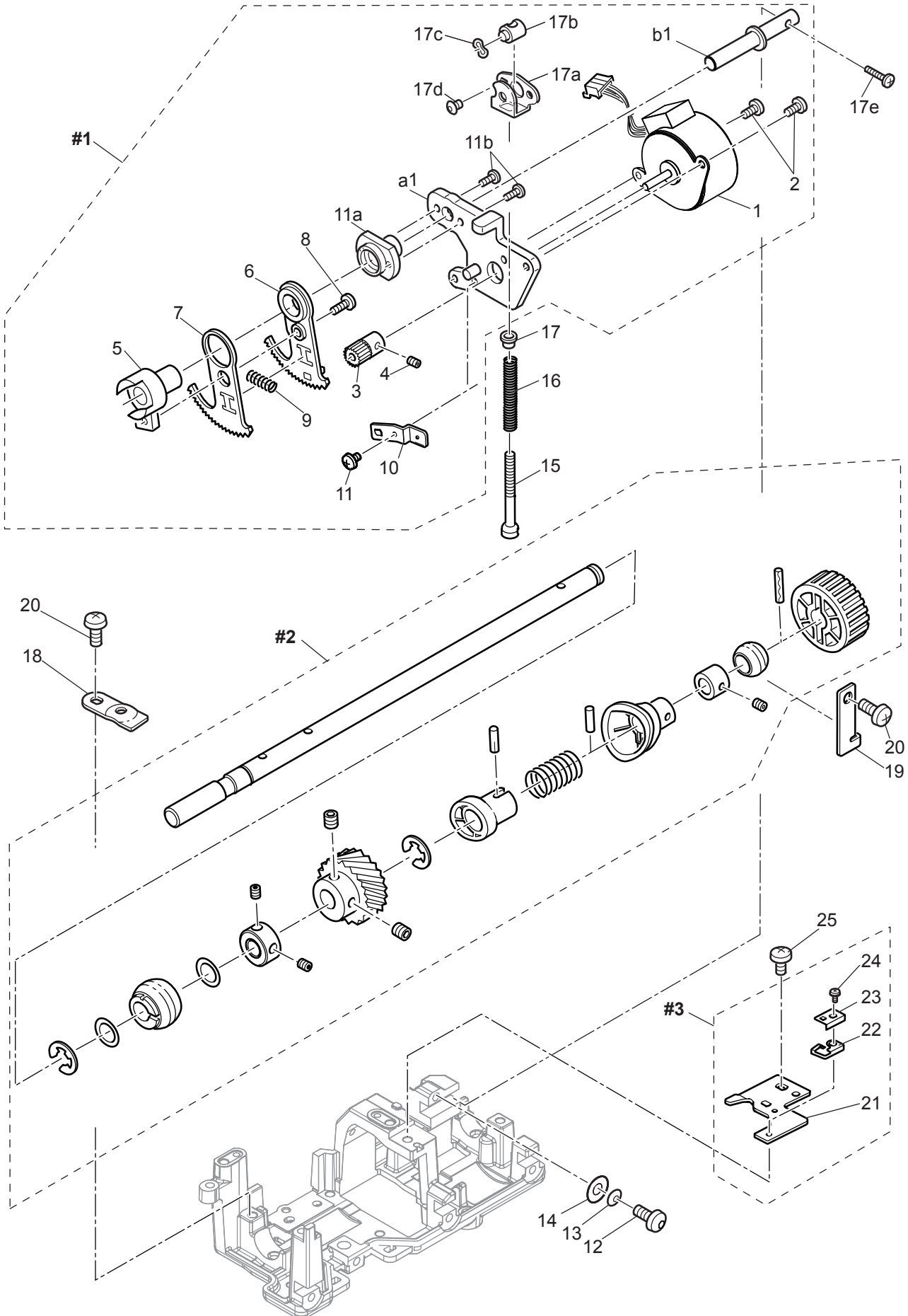
Available parts

No.	Part No.	Description
#1	68001347	Bobbin Winder Assy.
#2	68001358	Needle Plate Assy. Ver.1
#2	68011271	Needle Plate Assy. Ver.2
#3	68002958	Bobbin Holder Unit
#4	68001393	Feed Assy.
#5	68001452	Feed Rocking Assy.
#6	68001467	Hook Race Unit
1	68001349	Bobbin Winder Shaft Spring
2	68011273	Rubber Ring
5	68001355	Bobbin Winder Switch Assy.
11	412423701	Thread Cutter
13	416789301	Bobbin Cover Plate Holder
21	270 HP32743	Set Screw M4*8.5
22	68001385	Bobbin Cover Plate
23	68002499	Bobbin Holder Assy.
25	68001389	Bobbin
45	68002542	Feed Dog
47	416401301	Set Screw
48	416401401	Adjustable Nut
49	416401201	Feed Rocking Connecting Rod
72	270 HP30113	Hook Race Assy.

NOT Available

3	68001352	Bobbin Winder Switch Bracket
4	416710101	Set Screw M2.5*4
6	68001356	Washer
7	68001357	Set Screw M2*8
8	68001191	Set Screw M4*8
9	68001361	Needle Plate
10	416789201	Thread Guide Plate
12	68001364	Slide Lever
14	68001366	Set Screw M2*3
15	68013449	Bobbin Holder Stabilize Plate
16	68001379	Set Screw M2*2
17	416789701	Set Screw M2*2.8
18	416787101	Push Nut
19	68001381	Rubber Seat
20	416710801	Rubber Sheet
24	68013450	Brush
26	68013536	Bed Unit Base
27	68002501	Position Pin for Needle Plate
28	68001397	Feed Shaft Guide
29	68001398	Feed Shaft
30	68001399	Polyslider
31	68001400	Snap Ring
32	68013468	Feed Shaft Collar
33	68001597	Set Screw M3*3
34	68018418	Feed Cam Follower
37a	68013481	Polyslider. Ver.2
38	68001408	Feed Slide Block Fulcrum Shaft
39	68001597	Set Screw M3*3
40	68018421	Feed Cam Follower Fulcrum Shaft
41	68001597	Set Screw M3*3
42	68010957	Feed Slide Block
43	68010955	Feed Slide Block Spring
44	68001426	Feed Base
46	68001606	Set Screw M3*5
50	68001447	Feed Base Fulcrum Shaft (Left)
51	68001591	Washer
52	68018422	Feed Base Fulcrum Shaft (Right)
53	68001597	Set Screw M3*3
54	68001449	Feed Rocking Cam Follower Spring
54a	68018423	Feed Cam Follower Spring. Ver.2
54b	416710301	Button Head Screw M3*4. Ver.2
55	68002633	Set Screw M4*8
56	68002631	Spring Washer
57	68002634	Washer
58	68002854	Feed Rocking Cam Follower Bracket Assy.
59	416711401	Feed Rocking Cam Follower
60	416711501	Feed Rocking Cam Follower Plate
61	68001547	Set Screw PT M3*5
62	416711601	Feed Rocking Cam Follower Shaft
63	68002855	Feed Rocking Cam Follower Spring
64	68001592	Snap Ring
65	68001454	Drop Feed Lever
66	68001462	Drop Feed Lever Link
67	68001286	Snap Ring
68	68002867	Threader Holder Spring
69	68001464	Set Screw
70	68001465	Collar
71	68001466	Set Screw M4*6
73	68002869	Hook Race Shaft
74	68013455	Oil Wick (1)
75	68001472	Oil Wick (2)
76	68001474	Polyslider
77	68001475	Polyslider
78	68001856	Wave Washer
79	68001483	Magnet
80	68000153	Set Screw M4*4
80a	68018424	Dual Feed Lower Shaft Arm Holding Plate. Ver.2
80b	68001598	Set Screw M3*3. Ver.2

G



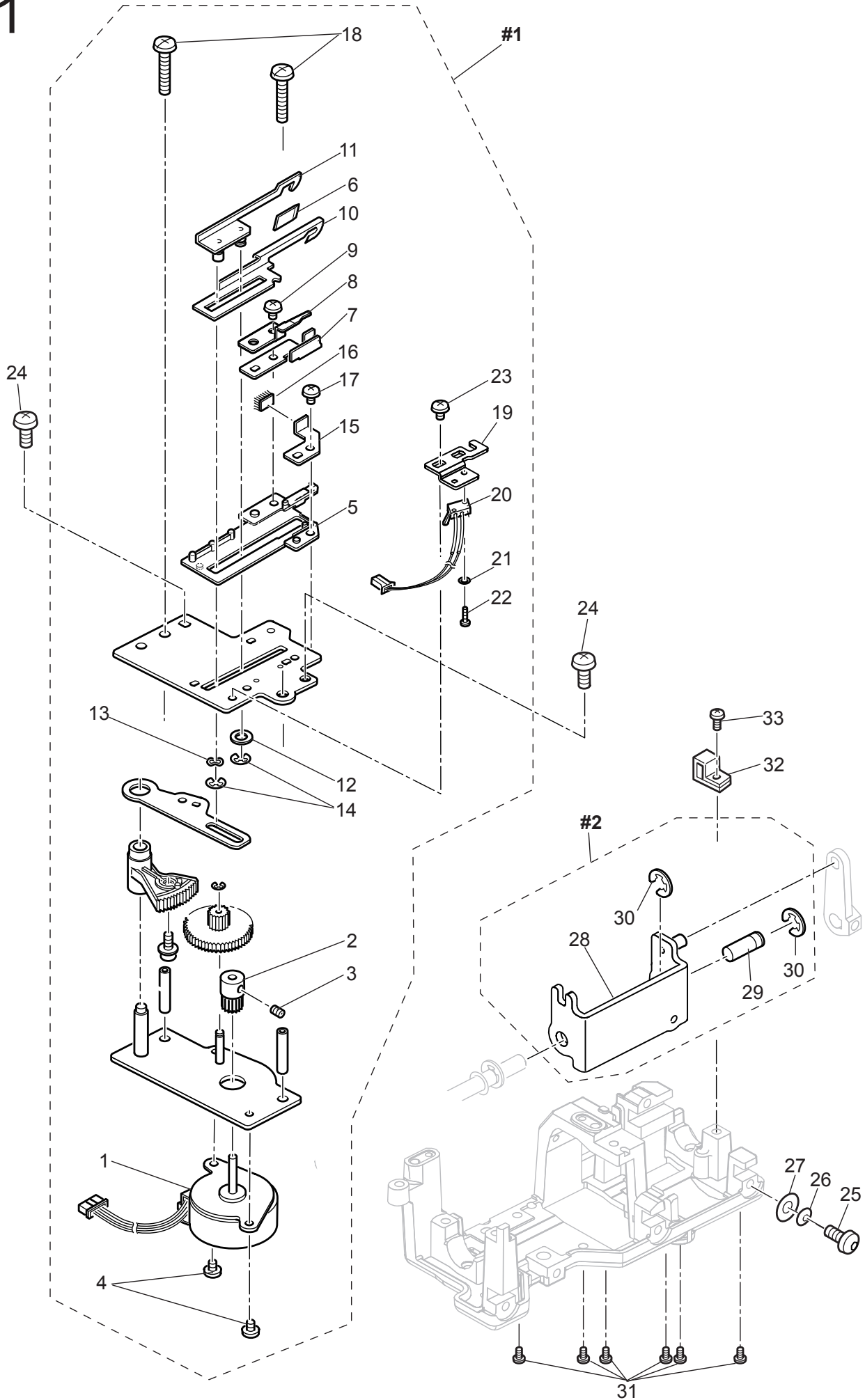
Available parts

No.	Part No.	Description
#1	68001499	F Pulse Motor Assy. Ver.2
#2	68001527	Lower Shaft Assy.
#3	68001659	Bobbin Holder Stopper Assy.

NOT Available

a1	68013485	F Pulse Motor Bracket Assy. Ver.2
b1	68013494	Feed Regulator Shaft. Ver.2
1	68001509	F Pulse Motor
2	68013495	Set Screw M3*6
3	68001510	F Pulse Motor Gear
4	68001597	Set Screw M3*3
5	68001514	Feed Regulator
6	68001516	Feed Regulator Gear (A)
7	68001517	Feed Regulator Gear (B)
8	68001553	Set Screw M3*8
9	68001520	Feed Regulator Gear Spring
10	68001521	Pulse Motor Bracket Plate
11	68001598	Set Screw M3*3
11a	68013496	Feed Regulator Holder. Ver.2
11b	68013497	Set Screw M2.5*6. Ver.2
12	68002633	Set Screw M4*8
13	68002631	Spring Washer
14	68002634	Washer
15	68001525	Forward-Reverse Feed Fine Adjustment Screw
16	68001526	Forward-Reverse Feed Fine Adjustment Spring
17	68018426	Forward-Reverse Feed Fine Adjustment Spring Collar
17a	68001523	Feed Fine Adjustment Screw Nut Support Plate. Ver.2
17b	68001524	Forward-Reverse Feed Fine Adjustment Screw Nut. Ver.2
17c	68001590	Wave Washer. Ver.2
17d	416710301	Set Screw M3*4. Ver.2
17e	68013498	Set Screw M2.5*10. Ver.2
18	68001596	Ball Bushing Holder (Left)
19	68001658	Ball Bushing Holder
20	68001191	Set Screw M4*8
21	68001660	Bobbin Holder Stopper Bracket
22	68001662	Bobbin Holder Stopper Spring
23	68001667	Bobbin Holder Stopper Spring Cover
24	68001366	Set Screw M2*3
25	68002502	Set Screw M4*6

H1



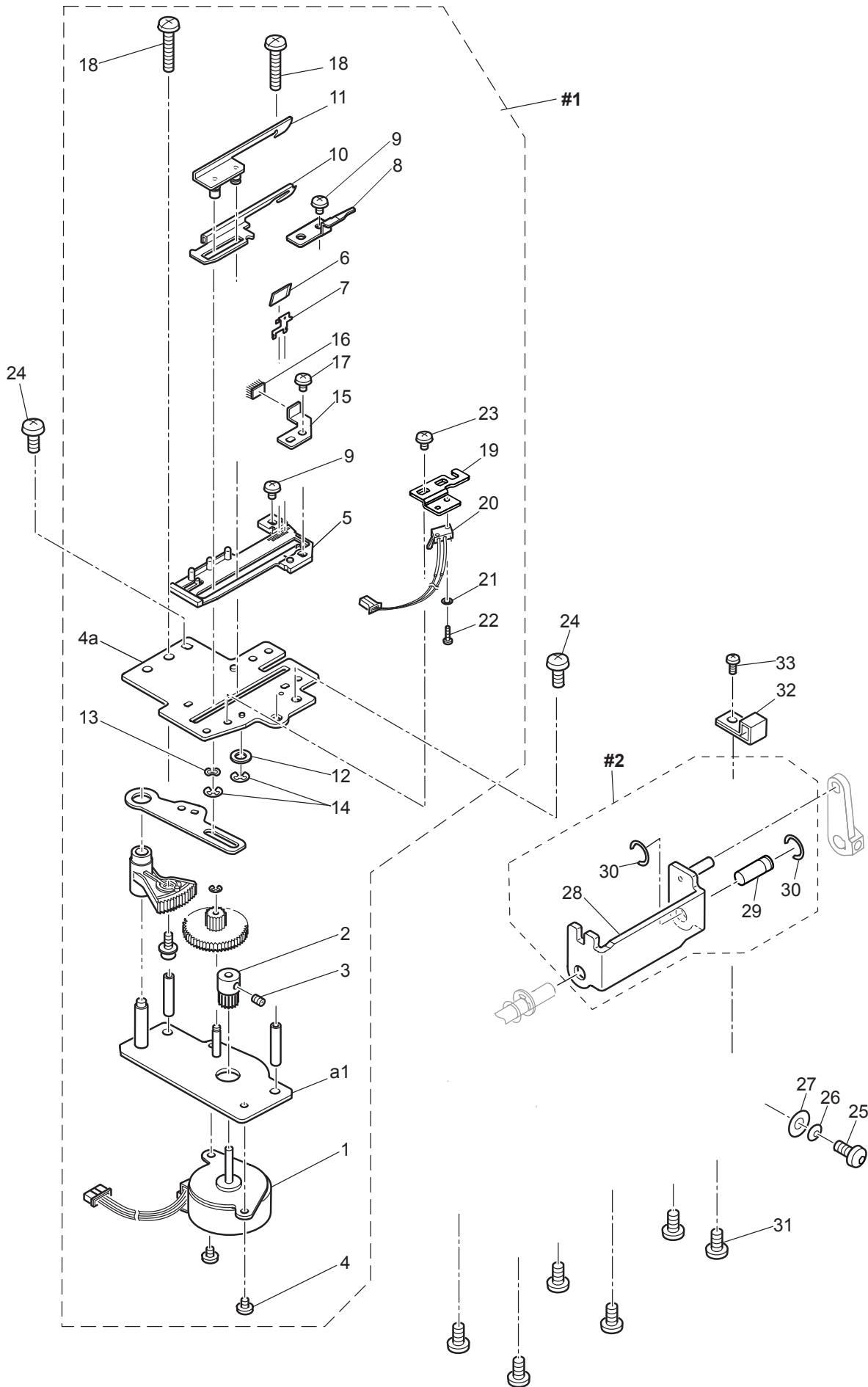
Available parts

<u>No.</u>	<u>Part No.</u>	<u>Description</u>
#1	68001313	Thread Cutter Assy. (Version 1)
6	412423701	Thread Knife
8	68001383	Thread Catcher Holding Plate
10	68001386	Thread Catcher A (Version 1)
11	416826201	Thread Catcher B Assy. (Version 1)
20	68001411	Thread Cutter Switch Assy.

NOT Available

7	416826301	Thread Divider (Version 1)
---	-----------	----------------------------

H2

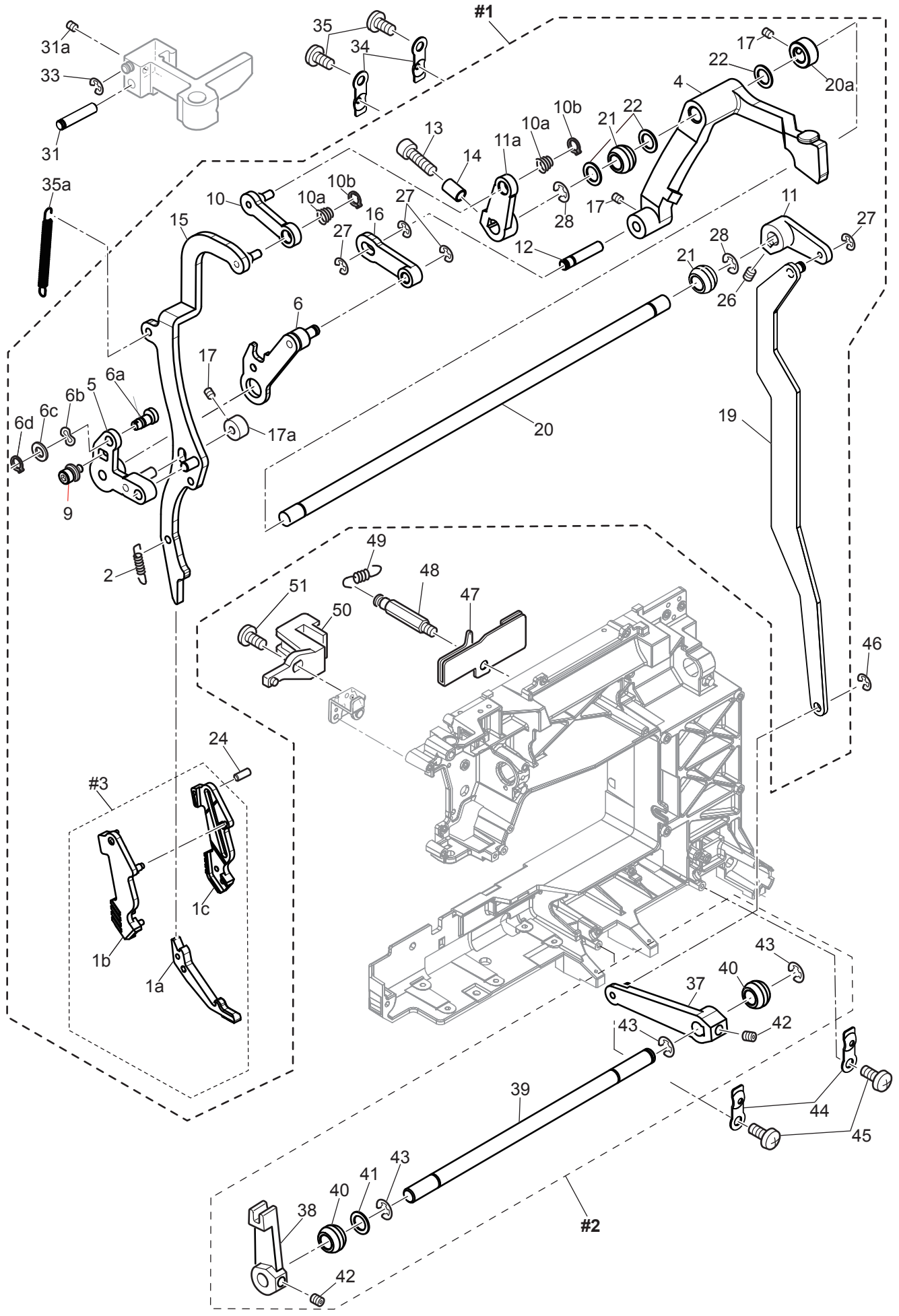


Available parts

No.	Part No.	Description
#1	68002960	Thread Cutter Assy.
6	412423701	Thread Cutter
7	68005912	Thread Divider
8	68001383	Thread Catcher Holding Plate (Not Included In Version 3)
10	68005911	Thread Catcher A
11	68005910	Thread Catcher B Assy.
20	68001411	Thread Cutter Switch Assy.

NOT Available

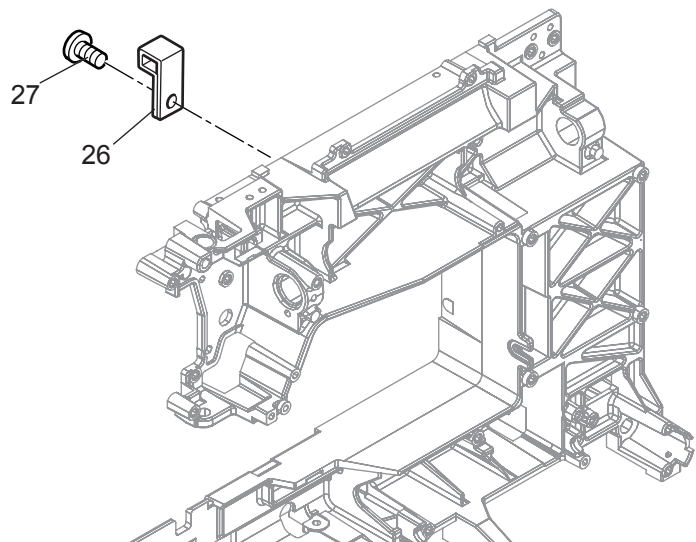
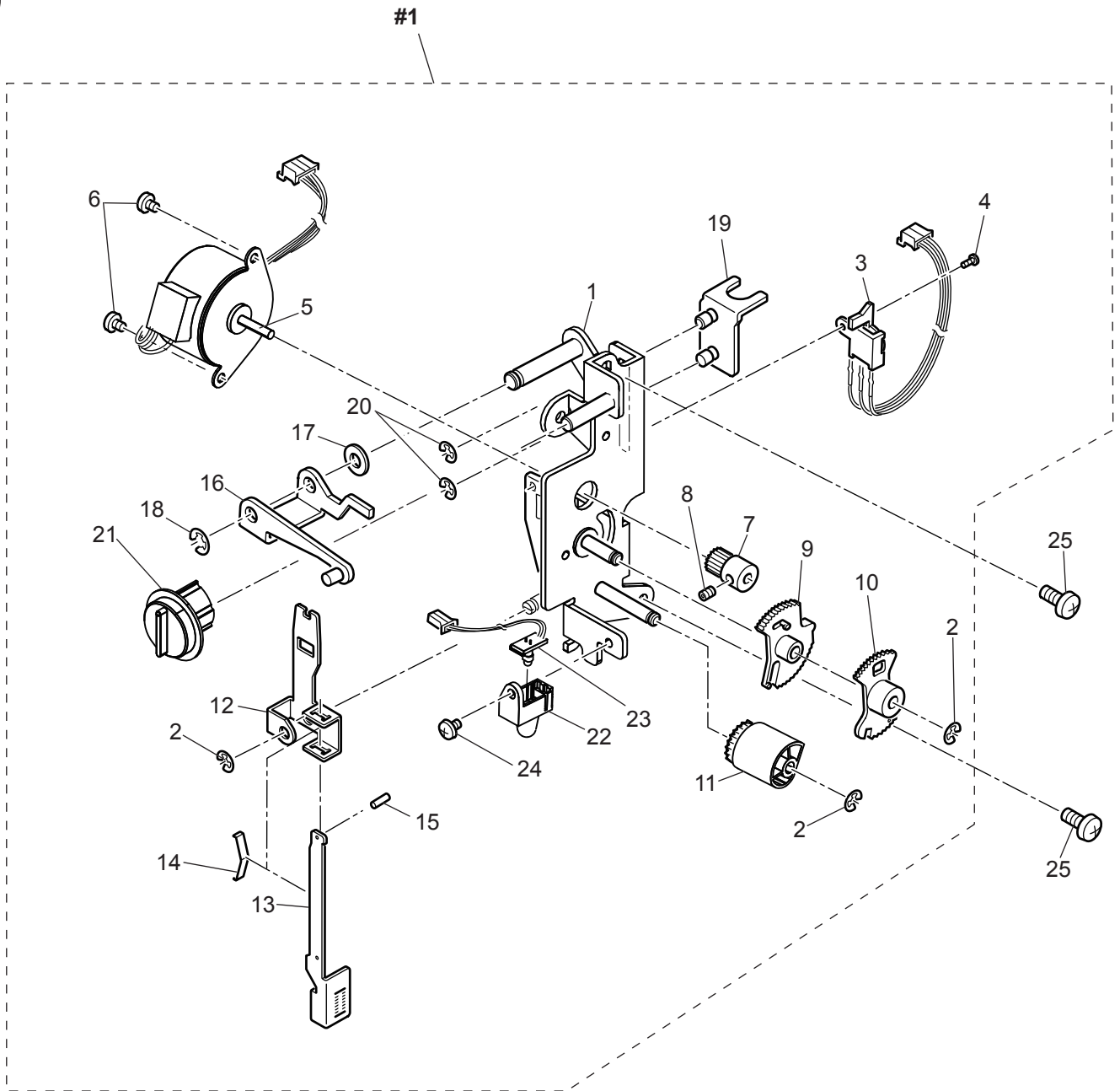
#2	68018425	Dual Feed Lower Shaft Arm Unit
a1	68013461	Thread Cutter Pulse Motor Bracket Assy. Ver.3
1	68001346	Thread Cutter Pulse Motor
2	68001594	Pulse Motor Gear
3	68001597	Set Screw M3*3
4	68001598	Set Screw M3*3
4a	68013464	Thread Cutter Bracket. Ver.3
5	68013465	Thread Cutter Holding Base
9	68001606	Set Screw M3*5
12	68001591	Washer
13	68001712	Wave Washer
14	68001592	Snap Ring
15	416826401	Thread Holding Bracket
16	416789901	Brush
17	68001606	Set Screw M3*5
18	68001395	Set Screw M4*22
19	68001409	Thread Cutter Switch Bracket
21	416710401	Washer
22	68001731	Set Screw M1.7*6
23	68001598	Set Screw M3*3
24	68001191	Set Screw M4*8
25	68002633	Set Screw M4*8
26	68002631	Spring Washer
27	68002634	Washer
28	68018427	Dual Feed Lower Shaft Arm Assy.
29	68001422	Dual Feed Lower Shaft Arm Fulcrum Shaft
30	68018428	Snap Ring
31	68001191	Set Screw M4*8
32	68001228	Cord Holder
33	68001191	Set Screw M4*8



Available parts

<u>No.</u>	<u>Part No.</u>	<u>Description</u>
#1	68011276	Dual Feed Unit Assy.
#2	68001690	Dual Feed Lower Shaft Assy.
#2	68011277	Dual Feed Lower Shaft Assy. Ver. 2
#3	68002530	Dual Feed Dog Assy. Ver. 1
#3	68011285	Dual Feed Dog Assy. Ver.2
2	68002635	Dual Feed Dog Spring
NOT Available		
4	68018432	Dual Feed Up/Down Cam Lever
5	68018433	Dual Feed Up/Down Cam Lever Assy.
6	68018434	Dual Feed Up/Down Adjusting Plate Assy.
6a	68018449	Dual Feed Height Adjusting Pin. Ver.2
6b	68001590	Wave Washer. Ver.2
6c	68001591	Washer. Ver.2
6d	68019888	C-type Retaining Ring. Ver.2
9	68018450	Set Screw
10	68021642	Dual Feed Leg Front/Rear Link Assy.
10a	68021643	Spring. Ver.2
10b	68021644	Snap Ring. Ver.2
11	68001488	Dual Feed Leg Front/Rear Lever
11a	68021645	Dual Feed Leg Front/Rear Lever (Left). Ver.2
12	68021646	Dual Feed Up/Down Cam Lever Shaft
13	68002535	Set Screw M4*14
14	68002536	Spacer
15	68021647	Dual Feed Leg Assy.
16	68021648	Dual Feed Up/Down Link Assy.
17	68001597	Set Screw M3*3
17a	68022889	Collar. Ver.2
19	68001495	Dual Feed Up/Down Shaft Link Assy.
20	68023068	Dual Feed Upper Shaft
20a	68001401	Feed Shaft Collar. Ver.2
21	68001504	Ball Bushing
22	416705201	Polyslider
24	68001511	Straight Pin
26	68000153	Set Screw M4*4
27	68001592	Snap Ring
28	416402801	Snap Ring
31	68001490	Dual Feed Up/Down Cam Lever Shaft
31a	68001597	Set Screw M3*3. Ver.2
33	68001592	Snap Ring
34	68001685	Dual Feed Ball Bushing Holder
35	68001191	Set Screw M4*8
35a	68018451	Dual Feed Cloth Presser Spring. Ver.2
37	68001691	Dual Feed Lower Shaft Lever Assy.
38	68024848	Dual Feed Link Lever ver 2
39	68001693	Dual Feed Lower Shaft
40	68001504	Ball Bushing
41	416705201	Polyslider
42	68000153	Set Screw M4*4
43	416402801	Snap Ring
44	68001685	Dual Feed Ball Bushing Holder
45	68001191	Set Screw M4*8
46	68001592	Snap Ring
47	68001700	Cable Clamp
48	68002539	Stud
49	68002541	Dual Feed Leg Front/Rear Lever Spring
50	68024849	Dual Feed Leg
51	68001191	Set Screw M4*8

J



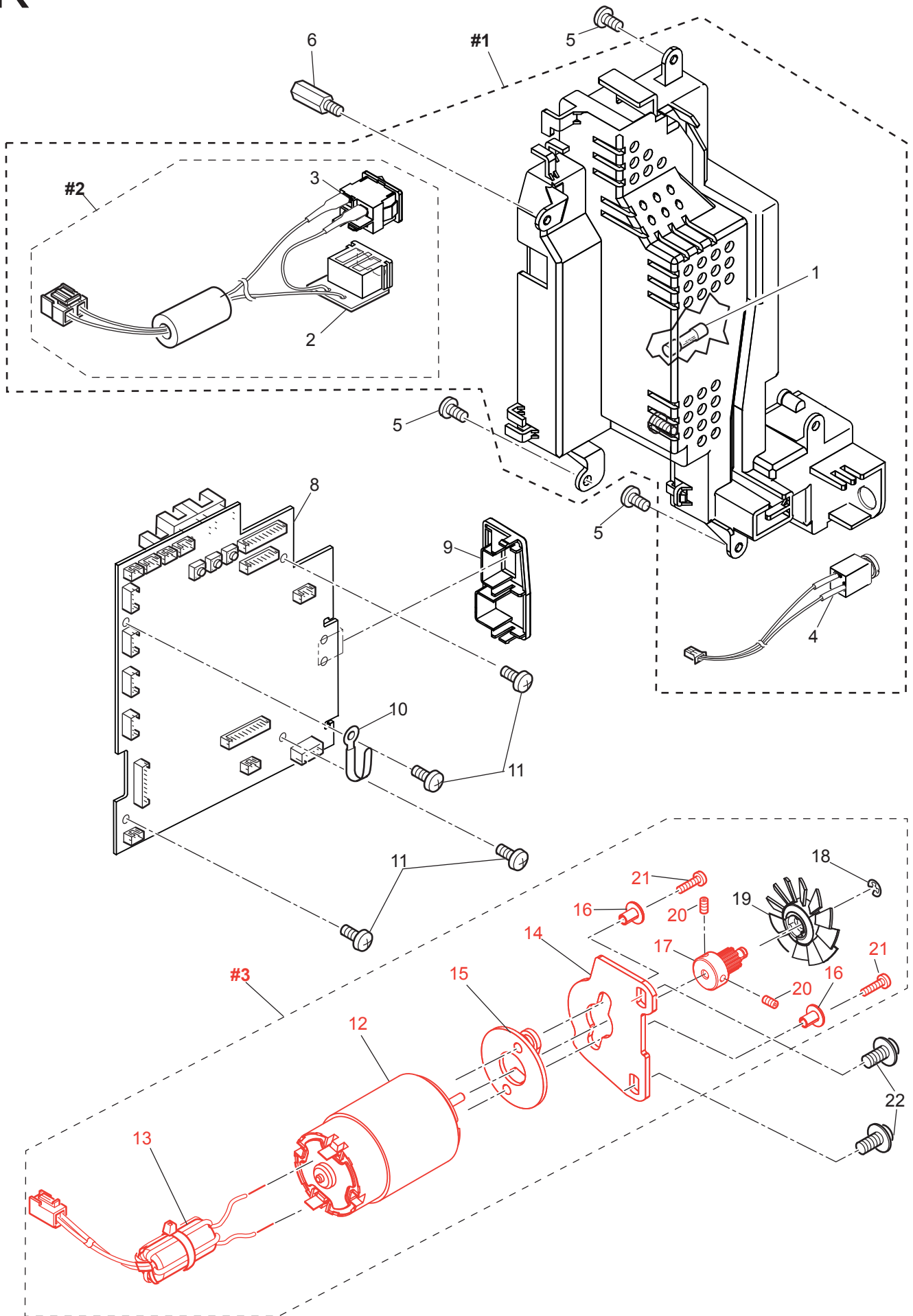
Available parts

<u>No.</u>	<u>Part No.</u>	<u>Description</u>
#1	68001748	Z Pulse Motor Assy.
3	68001750	BH Switch Assy.
22	68001575	LED Light Cover (A)
23	68001764	LED Board Assy(C)

NOT Available

1	68001749	Z Pulse Motor Bracket Assy
2	68001592	Snap Ring
4	416710101	Set Screw M2.5*4
5	68001752	Z Pulse Motor
6	68001598	Set Screw M3*3
7	68001594	Pulse Motor Gear
8	68001753	Set Screw M3*4
9	68001754	Center Gear (A)
10	68001765	Center Gear (B)
11	68001755	Z Cam
12	68001756	BH Plate
13	68001757	BH Lever
14	68001758	BH Lever Spring
15	68001759	Spring pin
16	68001760	Pressure Regulator Cam Follower Assy.
17	68001761	Washer
18	416402801	Snap Ring
19	68001762	Pressure Regulator Plate Assy.
20	68001592	Snap Ring
21	68001763	Pressure Regulator Dial
24	68001606	Set Screw M3*5
25	68001191	Set Screw M4*8
26	68001228	Cord Holder
27	68001191	Set Screw M4*8

K

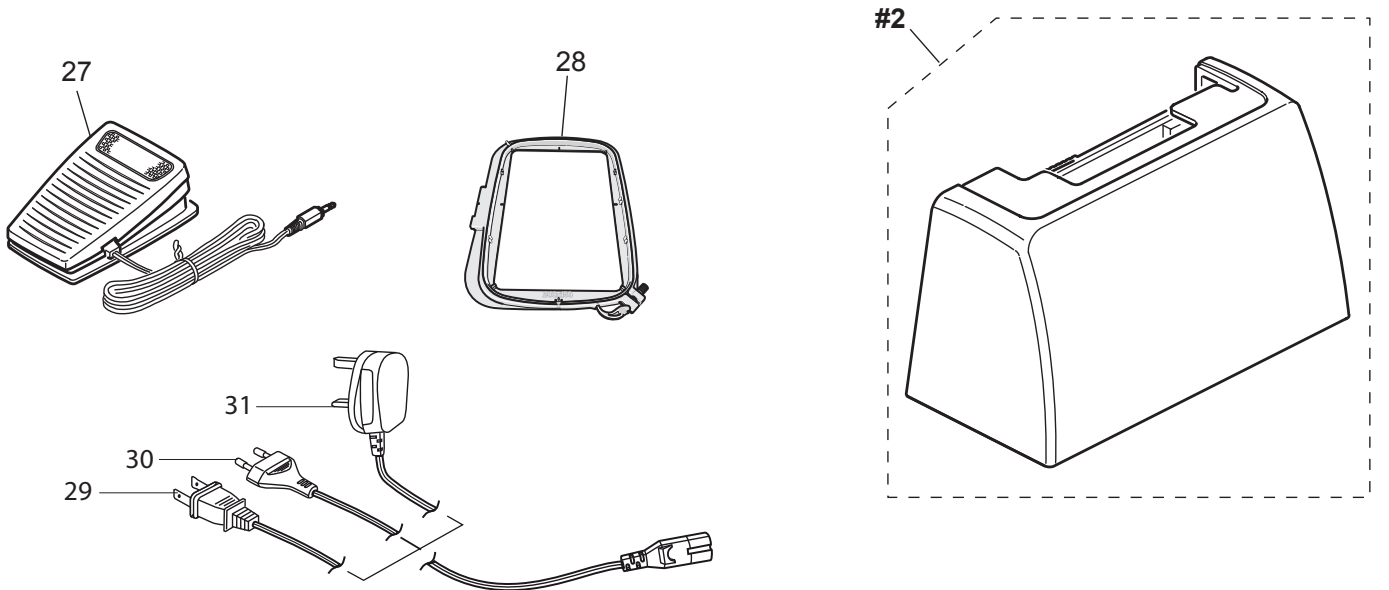
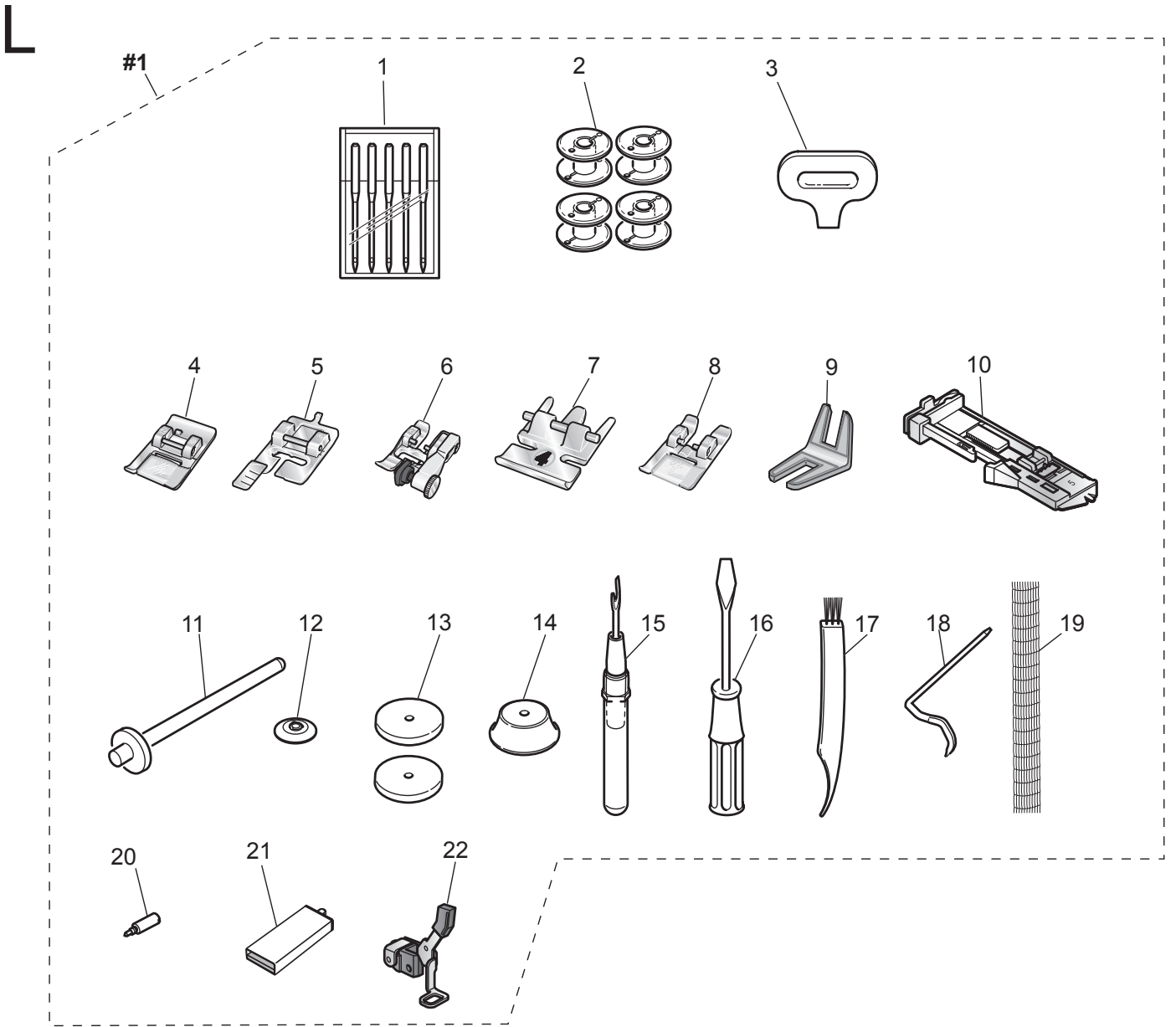


Available parts

<u>No.</u>	<u>Part No.</u>	<u>Description</u>
#1	68001766	Power Circuit Assy.
#2	68001768	Power Socket Assy.
#3	68001785	Motor Assy. Ver 1
#3	68012010	Motor Assy. Ver 2
1	68001767	Fuse
4	68001772	Controller Jack Assy.
8	68001777	CPU Board Assy.
9	68001779	USB Connector Cover
19	270 HP32925	Motor Fan

NOT Available

2	68001769	Power Socket Circuit
3	68001770	Power Switch
5	68001191	Set Screw M4*8
6	68001774	Stud
10	68001780	Coating Grip
11	68001191	Set Screw M4*8
12	68013407	Motor. Ver.2
13	68013954	DC Motor Harness Assy. Ver.2
14	68013955	Motor Bracket. Ver.2
15	68013409	Rubber Cushion. Ver.2
16	68013410	Motor Collar. Ver.2
17	68013411	Motor Pulley
18	68001592	Snap Ring
20	68001703	Set Screw M3*6
21	68001558	Set Screw M3*10
22	416403001	Set Screw M5*10

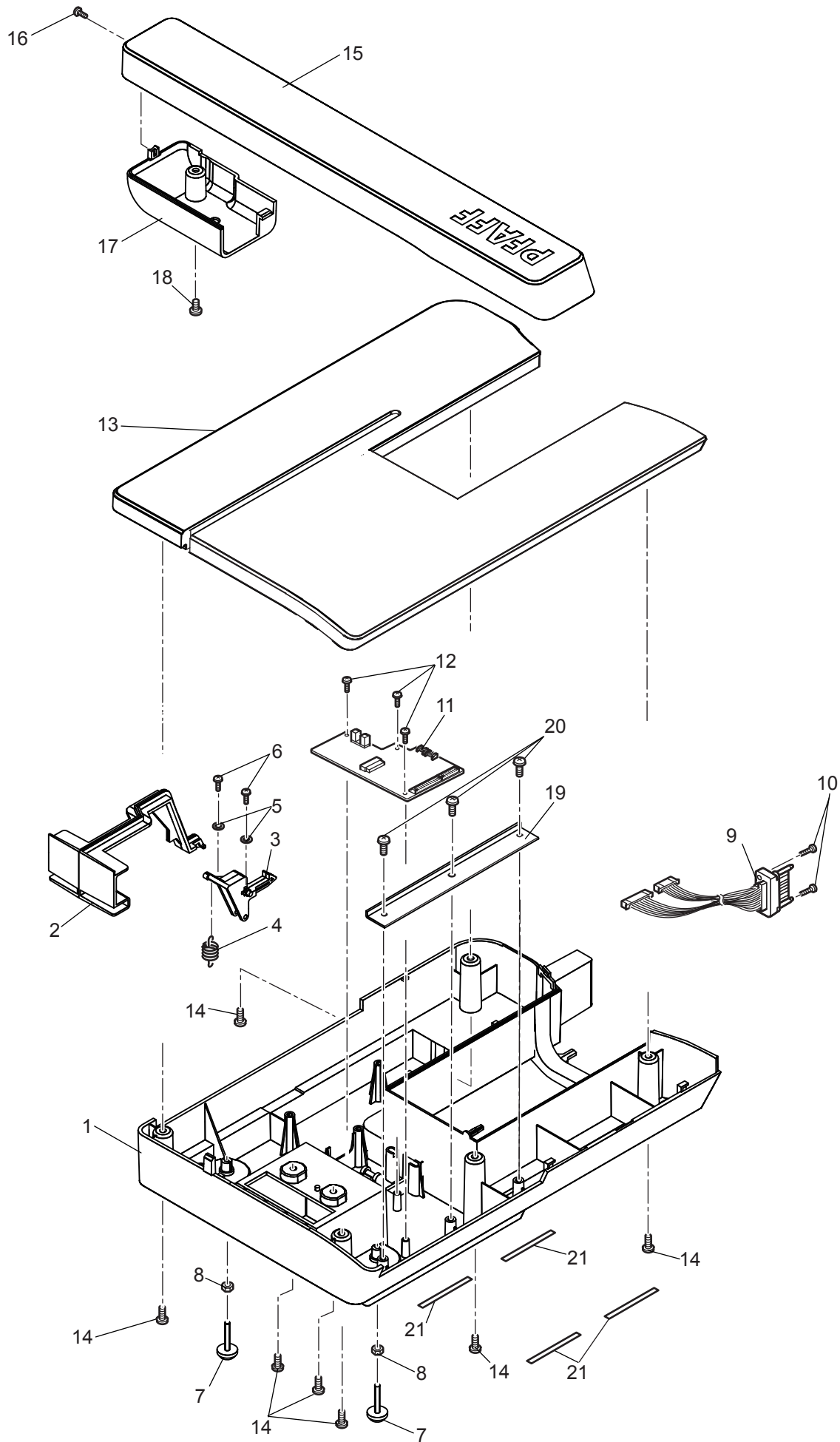


Available parts

No.	Part No.	Description
#1	68001806	Accessory Kit
#2	68001835	Dust Cover Unit
1	620098796	Needle Set
2	68001389	Bobbin
3	68001808	Screw Driver for Needle Plate
4	413060501	Fancy Stitch Foot 2A
5	413005502	Manual BH Foot 5M
6	820256096	Blindhem Foot 3
7	820248096	Zipper Foot 4
8	413059801	Fancy Stitch Foot 1A
9	413105601	Multi-Purpose Tool
10	68002863	One Step BH Foot 5
11	68001820	Auxiliary Spool Pin
12	68001821	Small Thread Cap
13	412610701	Felt
14	68001559	Thread Cap
15	68001822	Stitch Ripper
16	68001823	Screw Driver
17	68001824	Brush
18	68001825	Edge Guide
19	68001826	Spool Net
20	68002630	Needle Clamp Screw
21	413095708	USB Memory Stick
22	68001828	Embroidery Sewing Foot
27	68001834	Controller
28	68003094	Hoop 150*240 (Assy.)
29	412157903	Power Cord 120V
30	412157801	Power Cord 220V (EU)
31	412158002	Power Cord (GB)

NOT Available

M

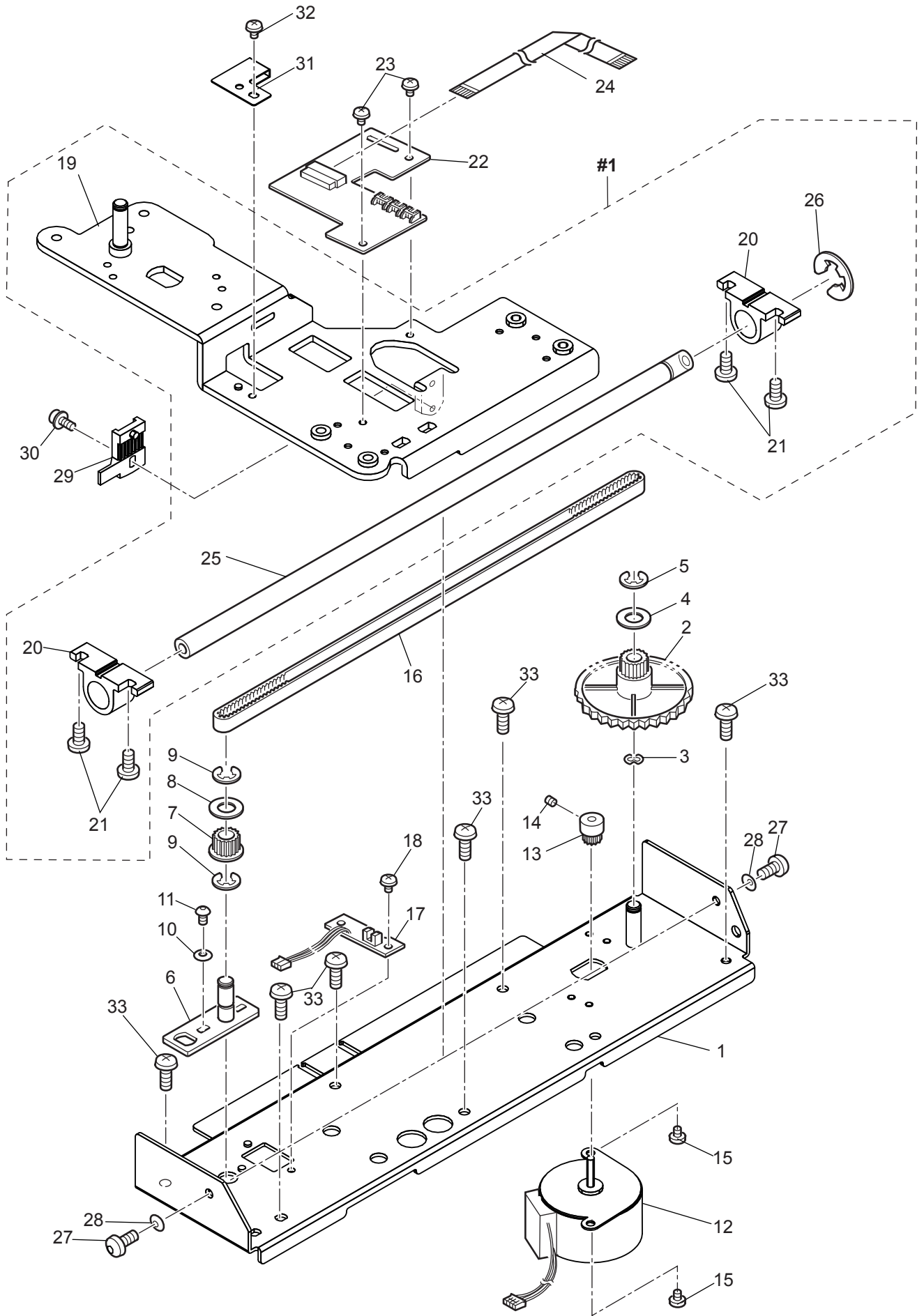


Available parts

<u>No.</u>	<u>Part No.</u>	<u>Description</u>
1	68001836	X Base Cover
2	68001837	Release Lever
3	68001839	Release Lever Hook
4	68001840	Release Lever Spring
7	68001842	Rubber Foot Adjuster
9	68001843	Embroidery Unit Connect Assy.
11	68001845	Board (2) Assy.
13	68001846	X Top Cover w/cloth
15	68001848	Y Carriage Cover A
17	68001850	Y Carriage Cover B
19	68001853	Y Carriage Guide Plate

NOT Available

5	68001841	Washer
6	68001288	Set Screw PT M3*8
8	416786801	Nut
10	68001844	Set Screw PT M3*12
12	68001288	Set Screw PT M3*8
14	68001198	Set Screw PT M4*10
16	68001553	Set Screw M3*8
18	68001191	Set Screw M4*8
20	68001198	Set Screw PT M4*10
21	68002543	Felt

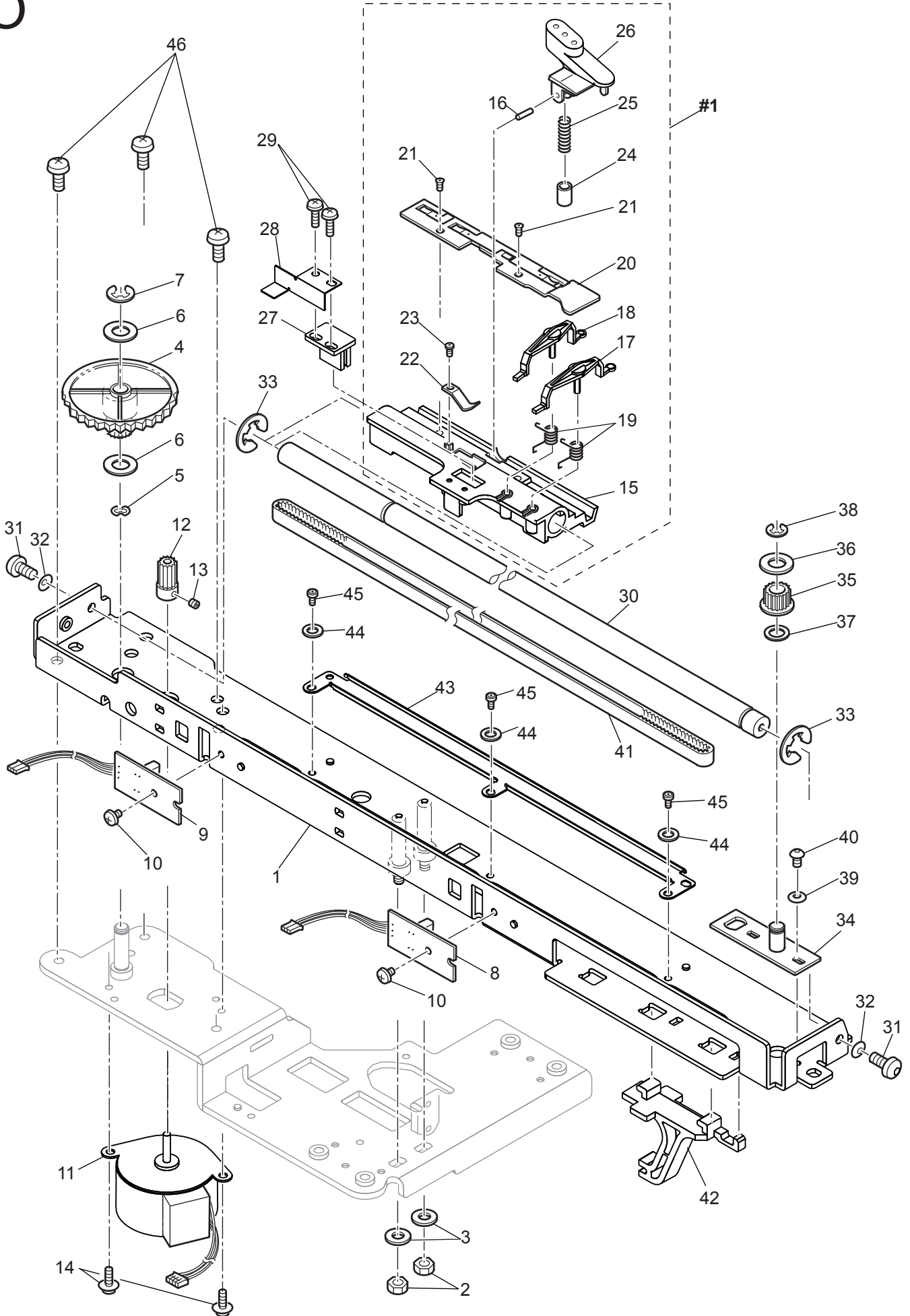


Available parts

No.	Part No.	Description
1	68001854	X Carriage Base Assy.
2	68001855	Drive Pulley
6	68001858	Tension Pulley Bracket Assy.
7	68001859	Tension Pulley
12	68001863	X Pulse Motor
13	68001864	Pulse Motor Gear
16	68001865	X Timing Belt
17	68001866	X Sensor Board Assy.
19	68001868	X Carrier Assy.
20	68001869	X Guide Shaft Follower
22	68001870	Board (1) Assy.
24	68001871	Flexible Flat Cable
25	68001872	X Guide Shaft
29	68001875	X Belt Holder
31	68001878	X Harness Holder

NOT Available

#1	68002841	X Carrier Unit
3	68001856	Wave Washer
4	68001857	Washer
5	68001400	Snap Ring
8	68001860	Washer
9	68001400	Snap Ring
10	68001861	Disc Spring Washer
11	68001862	Set Screw M3*5
14	68001493	Set Screw M3*3
15	68001598	Set Screw M3*3
18	68001606	Set Screw M3*5
21	68001191	Set Screw M4*8
23	68001606	Set Screw M3*5
26	68001874	Snap Ring
27	68002633	Set Screw M4*8
28	68002631	Spring Washer
30	68001876	Set Screw
32	68001598	Set Screw M3*3
33	68001198	Set Screw PT M4*10



Available parts

<u>No.</u>	<u>Part No.</u>	<u>Description</u>
#1	68006061	Y Carrier Assy.
1	68001221	Y Carriage Base Assy.
4	68001855	Drive Pulley
8	68001309	Hoop Sensor Board Assy.
9	68001427	Y Sensor Board Assy.
11	68001428	Y Pulse Motor
12	68001431	Pulse Motor Gear
15	413026801	Y Carrier
17	412749801	Y Carrier Sensor Arm (A)
19	412555701	Sensor Arm Spring
20	413026901	Hoop Stable Plate Assy.
21	411967306	Set Screw
24	412590003	Sleeve
25	412526601	Hoop Stable Spring
26	413030201	Y Carrier Ratch
27	68001788	Y Belt Holder
28	68001791	Y Carrier Shield Plate
30	68001792	Y Guide Shaft
34	68001794	Y Tension Pulley Bracket Assy.
35	68001859	Tension Pulley
41	68001797	Y Timing Belt
42	68001798	Y Carriage Guide
43	68001799	Y Carrier Guide

NOT Available

2	416786801	Nut
3	68001297	Washer
5	68001856	Wave Washer
6	68001857	Washer
7	68001400	Snap Ring
10	68001606	Set Screw M3*5
13	68001771	Set Screw M3*2.5
14	68001773	Set Screw M3*4
16	68013784	Needle Bearing Pin
18	412525402	Y Carrier Sensor Arm (B)
22	68014603	Y Carrier Spring
23	68014773	Set Screw
29	68001288	Set Screw PT M3*8
31	68002633	Set Screw M4*8
32	68002631	Spring Washer
33	68001793	Snap Ring
36	68001795	Washer
37	416705201	Polyslider
38	416402801	Snap Ring
39	68001861	Disc Spring Washer
40	68001862	Set Screw M3*5
44	68001841	Washer
45	68001805	Set Screw M3*3
46	68001191	Set Screw M4*8

